

DEPARTMENT OF THE ARMY TECHNICAL BULLETIN

**HOISTING UNIT TRUCK MOUNTING:
ORGANIZATIONAL MAINTENANCE, SET NO. 7
(4910-754-0652)**

**INSTALLATION IN ONE 2-1 / 2-TON,
6X6 CARGO TRUCK, M34 OR M35**

Headquarters, Department of the Army, Washington, D.C.
27 November 1970

This bulletin is current to 7 October 1970.

1. General a. Instructions contained in this bulletin are to be used as a guide for installation of Hoisting Unit Truck Mounting, Organizational Maintenance, Set No. 7, 4910-754-0652, in one 2½ - Ton, 6 x 6 Cargo Truck, M34 or M35.

b. These instructions are to be followed as prescribed in most instances. However, slight variations to the installation may be made at the discretion of the Officer in charge.

c. A complete list of items contained in this set is included in SC 4910-95-CL-A51.

d. Precautions should be observed when drilling holes through the body to insure the waterproof

characteristics of the body are retained. All hardware extending through the floor of the truck should have outer parts covered with undercoating similar to that used on the underside of vehicles. Care should be taken that holes drilled into the floor do not penetrate the frame or cross members of the vehicle.

2. Installation of Hoisting Unit. a. The floor plan for the truck with each item in its designated spot is shown in figure 1. Right-side view of superstructure is shown in figure 2. Superstructure, Hoist is shown in figure 3. Items to be mounted are listed in table 1.

Table 1. Items to be Mounted

FSN	Item Name	Qty	Fig. no.	Item ident.
3950-343-9966	SUPERSTRUCTURE, HOIST:	1	1, 2 and 3	1
3950-223-3396	HOIST, CHAIN:	1	1 and 2	2
4910-735-6056	TOWBAR, MOTOR VEHICLE:	1	1	3

* This technical bulletin supersedes TB ORD 444-3, dtd 9 June 1952.

b. Hardware required for installation of items in the truck are listed in table 2. Hardware items will

be drawn from stock or through the managing activity having supply responsibility.

Table 2. Hardware

FSN	Nomenclature	Qty	Application
5310-732-0560	NUT, PLAIN, HEXAGON: S, cd-pltd, semi-finished, w / chromate, $\frac{1}{2}$ -20UNF-2B, 0.736 w, 0.427 h	27	For $\frac{1}{2}$ screws
5310-763-8905	NUT, PLAIN, HEXAGON : S, cd-pltd, semi-finished, w / chromate, $\frac{3}{8}$ -18UNF-2B, 15/16 w, 35/64 h	10	For $\frac{3}{8}$ screws
5305-719-5238	SCREW, CAP, HEXAGON HEAD: S, cd-pltd, $\frac{1}{2}$ 20UNF-2A, 2 lg	8	Frame (lb), Front channel (lc)
5305-726-2551	SCREW, CAP, HEXAGON HEAD: S, cd-pltd, $\frac{3}{8}$ 18UNF-2A, 2 lg	10	Track (ld)
5305-719-5219	SCREW, CAP, HEXAGON HEAD: S, cd-pltd, w / chromate. $\frac{1}{2}$ -20UNF-2A. 1 $\frac{1}{4}$ lg	4	Track (ld)
5305-719-5221	SCREW, CAP, HEXAGON HEAD: S, cd-pltd, w / chromate, $\frac{1}{2}$ -20UNF-2A, 1 $\frac{1}{2}$ lg	15	Track (ld), Brace (le)
5310-809-3079	WASHER, FLAT: S, rd, cd-pltd, 9/16 id, 1.375 od, 0.086 thk	8	For $\frac{1}{2}$ screws
5310-809-5998	WASHER, FLAT: S, rd, cd-pltd, chromated, $\frac{1}{2}$ id, 1.062 od, 0.074 thk	8	For $\frac{1}{2}$ screws
5310-823-8803	WASHER, FLAT: S, rd, cd-pltd, chromated, $\frac{3}{8}$ id, 1.312 od, 3/32 thk	10	For $\frac{3}{8}$ screws
5310-045-5001	WASHER, LOCK: S, cd-pltd, $\frac{3}{8}$ id, 1.164 od, 13 / 64 thk	10	For $\frac{3}{8}$ screws
5310-834-7606	WASHER, LOCK: S, cd-pltd, chromated, $\frac{1}{2}$ id, 0.945 od, 11/64 thk	19	For $\frac{1}{2}$ screws

c. Unused space in the truck may be utilized for transporting and storing other tools, etc.

3. Truck. a. Superstructure, Hoist 3950-343-9966 (designated as 1) (Figs. 1, 2 and 31. Superstructure is shipped disassembled. It consist of one each of five components designated 1a, 1b, 1c, 1d, and 1e.

(1) Frame Arch With Fittings 3950-357-5935 (designated as 1b). Position the superstructure on the truck body, with the rear edge of the frame arch (1b) 4 $\frac{1}{2}$ - inches from the tailgate and centered on the floor of the body, as shown in figure 1. Mark and drill two 17/32-inch holes. One hole is 28-inches from the right side of truck and the other hole is 28-inches from the left side. Secure the frame (1b) to the truck using frame filler block. 1 $\frac{1}{2}$ -13 x 9 $\frac{1}{2}$ - inch bolts, washers, and nuts provided in kit. installation superstructure 3950-449-7858 (designated as 1a). Mark and drill on channel of frame (1b) four 17/32-inch holes. Each set of holes are two inches from end of frame and 1 $\frac{1}{2}$ -inches from each side. Secure frame (1b) with four $\frac{1}{2}$ -20 x 2-inch hexagon-head cap screws 5305-719-5238,

four 9/16-inch inside diameter flat washers 5310-809-3079, and four $\frac{1}{2}$ -20 hexagon plain nuts 5310-732-0560.

(2) Cross, Channel Front 3950-091-9690 (designated as 1t). Position front channel (1c) parallel to and 80-inches from frame (1b), as shown in figure 1. Mark and drill four 21/32-inch holes. The holes are 5 $\frac{1}{2}$ -inches and 9 $\frac{1}{4}$ -inches from each end of channel. Secure the front channel (1c) to the body floor using the following components from installation kit (1a): frame filler block, two U bolts 5/8- 18NF-3, four wshers, and four nuts. Mark and drill on front channel (1t) four 17/32-inch holes. Each set of holes are two inches from end of front channel and 1 $\frac{1}{2}$ -inches from each side. Secure front channel (1c) with four $\frac{1}{2}$ -20 x 2-inch hexagon-head cap screws 5305-719-5238, four 9/16-inch inside diameter flat washers 5310-809-3079, and four $\frac{1}{2}$ -20 hexagon plain nuts 5310-357-8128

(3) Track, Beam Assembly 3950-357-8128 (designated as 1d). Position curved end of track (1d) flush to and on front channel (1c) as shown in

figure 1. Secure the track (1d) to frame (1b) with ten 5/8-18 x 2-inch hexagon-head cap screws 5305-726-2551, ten 5/8-inch inside diameter flat washers 5310-823-8803, ten 5/8-inch lock washers 5310-045-5001, and ten 5/8-18 hexagon plain nuts 5310-763-8905. Secure the track (1d) to horizontal portion of front channel (1c) with four 1/2-20 x 1 1/4-inch hexagon-head cap screws 5305-719-5219, four 1/2-inch lock washers 5310-834-7606, and four 1/2-20 hexagon plain nuts 5310-732-0560. Secure the track (1d) to vertical portion of front channel (1c) with eight 1/2-20 x 1 1/2-inch hexagon-head cap screws 5305-719-5221, eight 1/2-inch inside diameter flat washers 5310-809-5998, eight 1/2-inch lock washers 5310-834-7606, and eight 1/2-20 hexagon plain nuts 5310-732-0560.

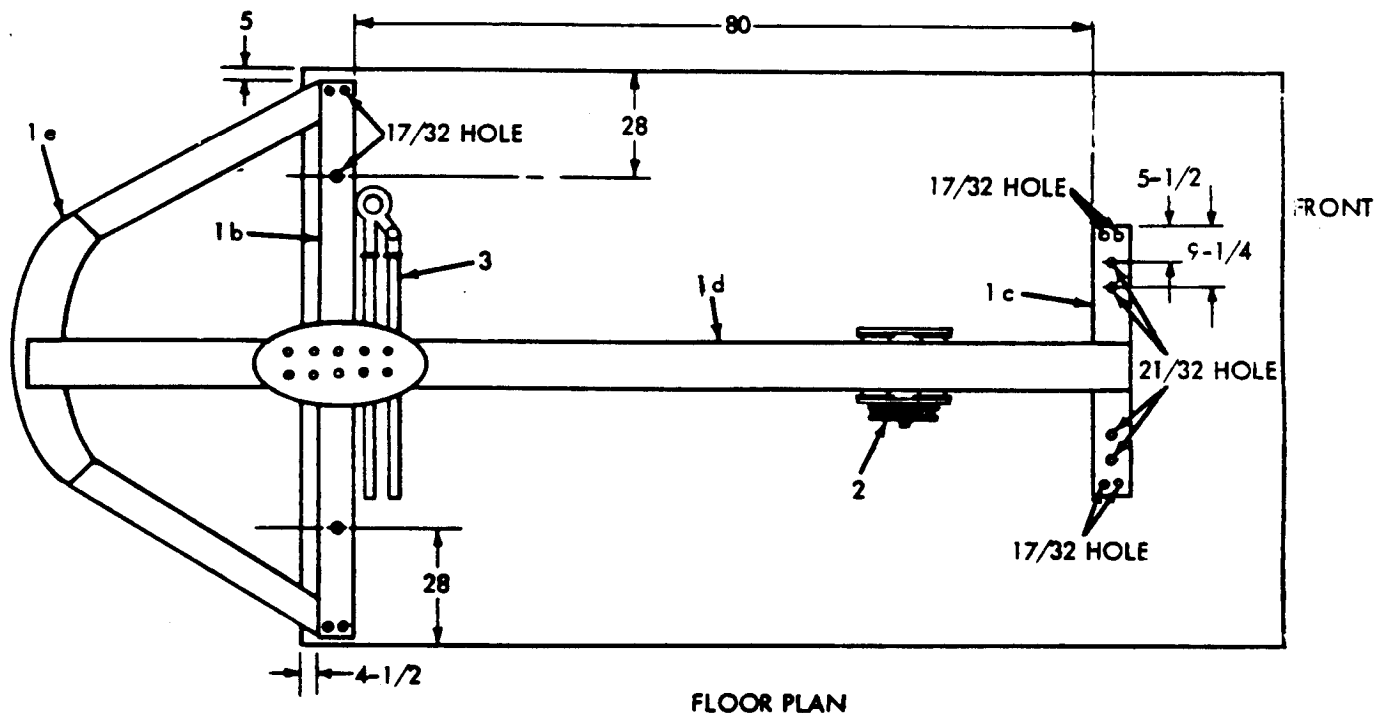
(4) Hoist, Chain 3950-223-3396 (designated as 2) (Figs. 1 and 2). Place chain hoist (2) on track (1d), *aa* shown in figure 2.

(5) Brace, Tubular 3950-091-9689 (designated as 1e). Secure the brace (1e) to track (1d) with three 1/2-20 x 1 1/2-inch hexagon-head cap screws 5305-719-5221, three 1/2-inch lock washers 5310-834-7606, and three 1/2-20 hexagon plain nuts 5310-732-0560. Secure one tubular portion of

brace (1e) to each side of frame (1b) with two 1/2-20 x 1 1/2-inch hexagon-head cap screws 5305-719-5221, two 1/2-inch lock washers 5310-834-7606, and two 1/2-20 hexagon plain nuts 5310-732-0560.

b. Tow bar, Motor Vehicle 4910-735-6056 (designated as 3) (Fig. 1). Stow on floor of truck between frame (1b) and front channel (1c) when not in use, as shown in figure 1. Secure eye hook connection on towing end to towing pintle mounted on rear cross member of truck. The pintle includes a locking device, which secures the hook when in a closed position. Secure the towed vehicle to forked connections with ring locking pins.

4. Reporting of Equipment Publications Improvements. The reporting of errors, omissions, and recommendations for improving this publication by the individual user is encouraged. Reports should be submitted on DA Form 2028 (Recommended Changes to DA Publication). Forward completed forms direct to: Commanding General, Headquarters, U.S. Army Weapons Command, ATTN: AMSWE-SMM-P, Rock Island, IL 61201.

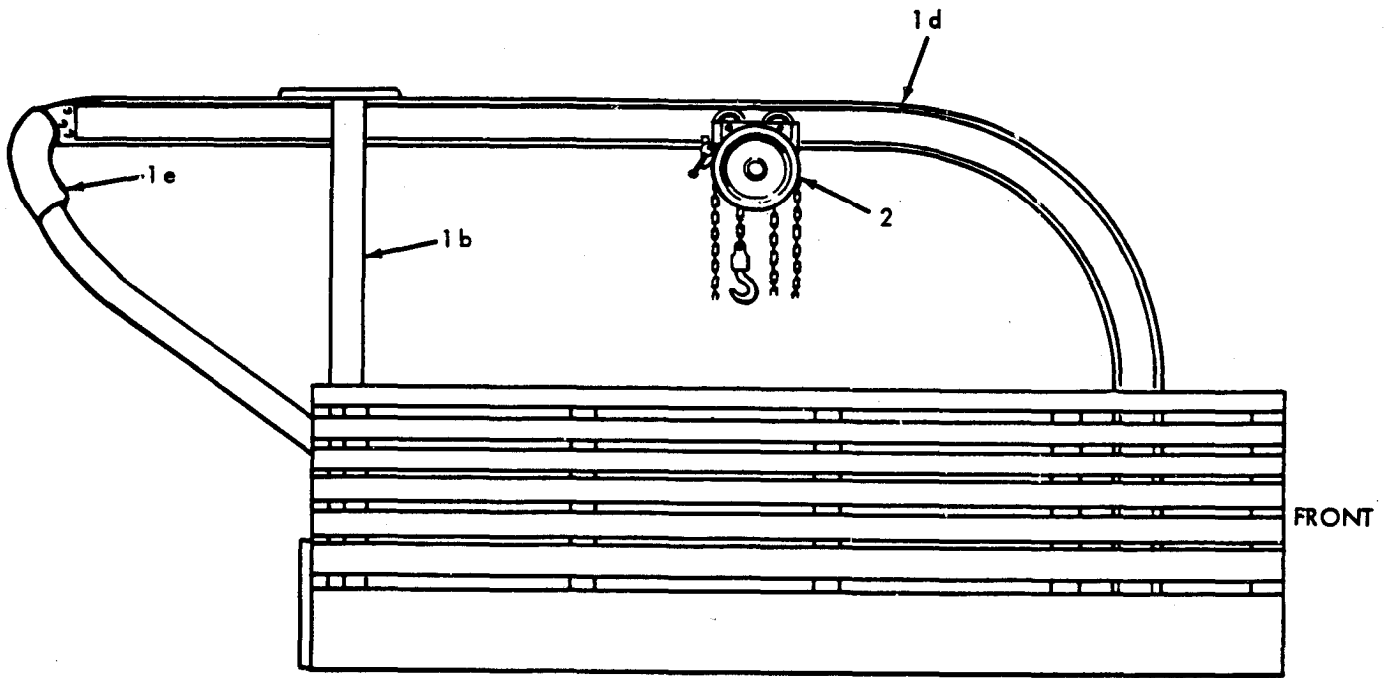


- FLOOR PLAN**
- 1b - FRAME ARCH WITH FITTINGS - 3950-357-5935
 - 1c - CROSS, CHANNEL FRONT - 3950-091-9690
 - 1d - TRACK, BEAM ASSEMBLY - 3950-357-8128
 - 1e - BRACE, TUBULAR - 3950-091-9689
 - 2 - HOIST, CHAIN - 3950-223-3396
 - 3 - TOWBAR, MOTOR VEHICLE - 4910-735-6056

NOTE: ALL DIMENSIONS SHOWN ARE INCHES.

WE 38403

Figure 1. Floor plan

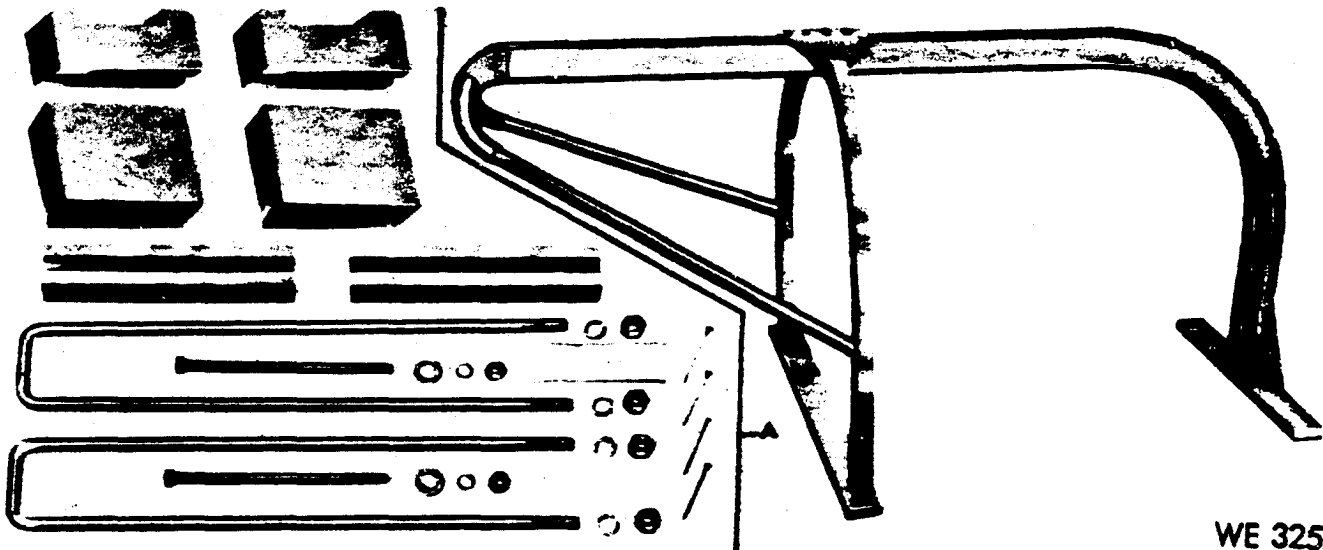


RIGHT SIDE VIEW

- 1b - FRAME ARCH WITH FITTINGS
- 1d - TRACK, BEAM ASSEMBLY
- 1e - BRACE, TUBULAR
- 2 - HOIST, CHAIN

WE 38404

Figure 2. Right-side view.



WE 32579

Figure 3. Superstructure, hoist.

By Order of the Secretary of the Army:

W. C. WESTMORELAND,
General, United States Army,
Chief of Staff.

Official:

KENNETH G. WICKHAM,
Major General, United States Army,
The Adjutant General.

DISTRIBUTION :

**To be distributed in accordance with DA Form 12-21 (qty rqr block no. 133) requirements for FSC
Group 4910-CL.**

* U.S. GOVERNMENT PRINTING OFFICE: 1992 0 - 311831/60140

